



**OSMOTEX**  
**RANGE**  
 Compact movable  
 unit  
 (with optional  
 stainless-steel buffer)

size :  
 2,5", 4" and 8"

working pressure  
 up to 1700 PSI  
 (120 bars)

# WATER TREATMENT REVERSE OSMOSIS FILTRATION

**anti-corrosion / lightness /  
 sustainability / economical**

The reverse osmosis physical process enables to desalinate the water or demineralize brackish water using a semipermeable membrane. This membrane lets water molecules through (H<sub>2</sub>O) and blocks the salts and all the organic compounds as well. The water which passes through it is therefore purified. For decades, Plasticon Composites France has been developing a unique savoir-faire in the sizing and the fabrication of high-performance pressure housings. There are plenty of various applications such as : drinking water (salt, brackish, drained water), waste water treatment, pure water and ultra-pure water for the chemical, food-processing and electronic industries, boiler feed-water, cosmetic cleansing, bio-engineering, oil and gas.

We have carefully selected a high-quality epoxy resin in order to guarantee the sustainability of our pressure housings (corrosion, high internal pressure, high temperature, microorganism, corrosive agents... etc).

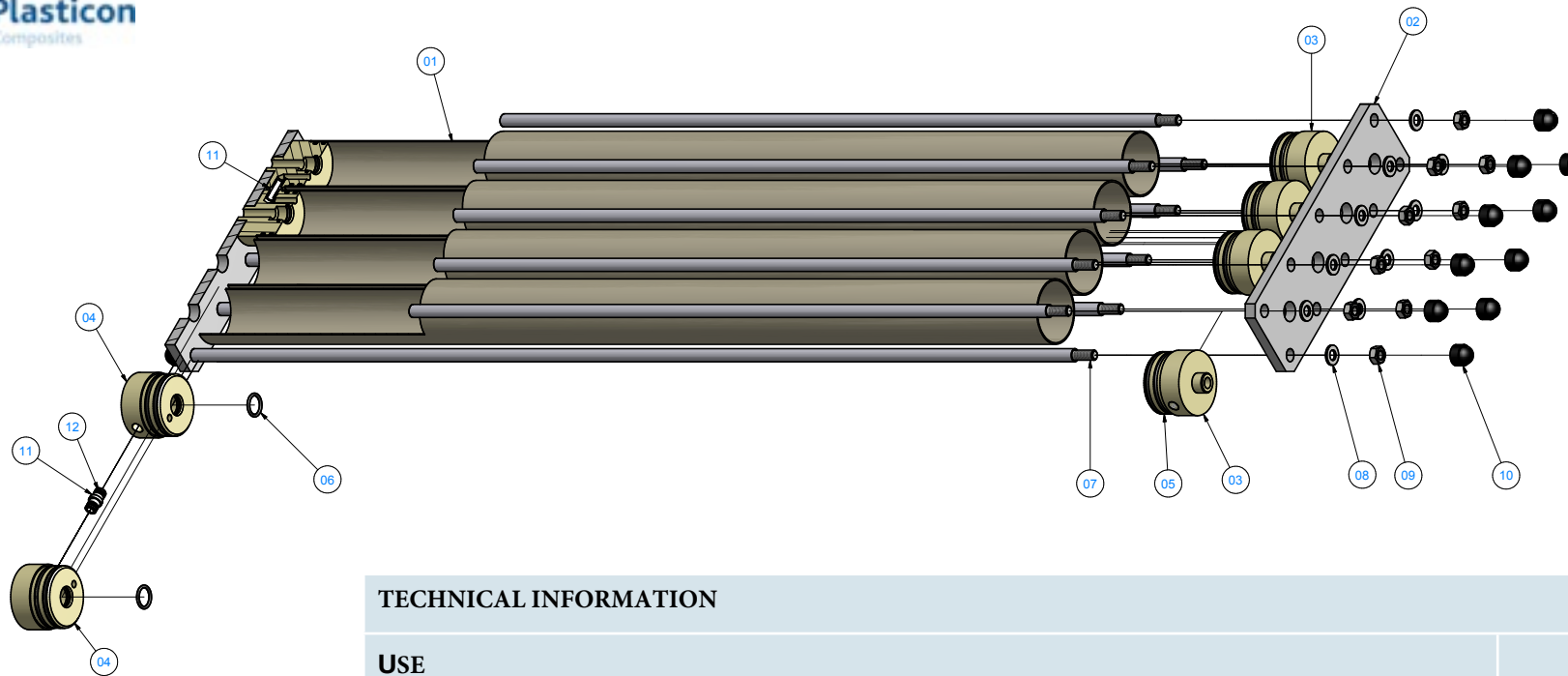
**OSMOCLIPS**  
**RANGE**  
 Compact movable  
 unit  
 (with optional  
 stainless-steel buffer)

size :  
 2,5", 4" and 8"

working pressure  
 up to 450 PSI  
 (28 bars)



# OSMOTEX RANGE - overviews



VERY GOOD COST/  
MECHANICAL  
RESISTANCE RATIO

ECONOMICAL

GOOD PSYCHO-  
CHEMICAL  
PROPERTIES

ANTI-CORROSION

SUSTAINABILITY

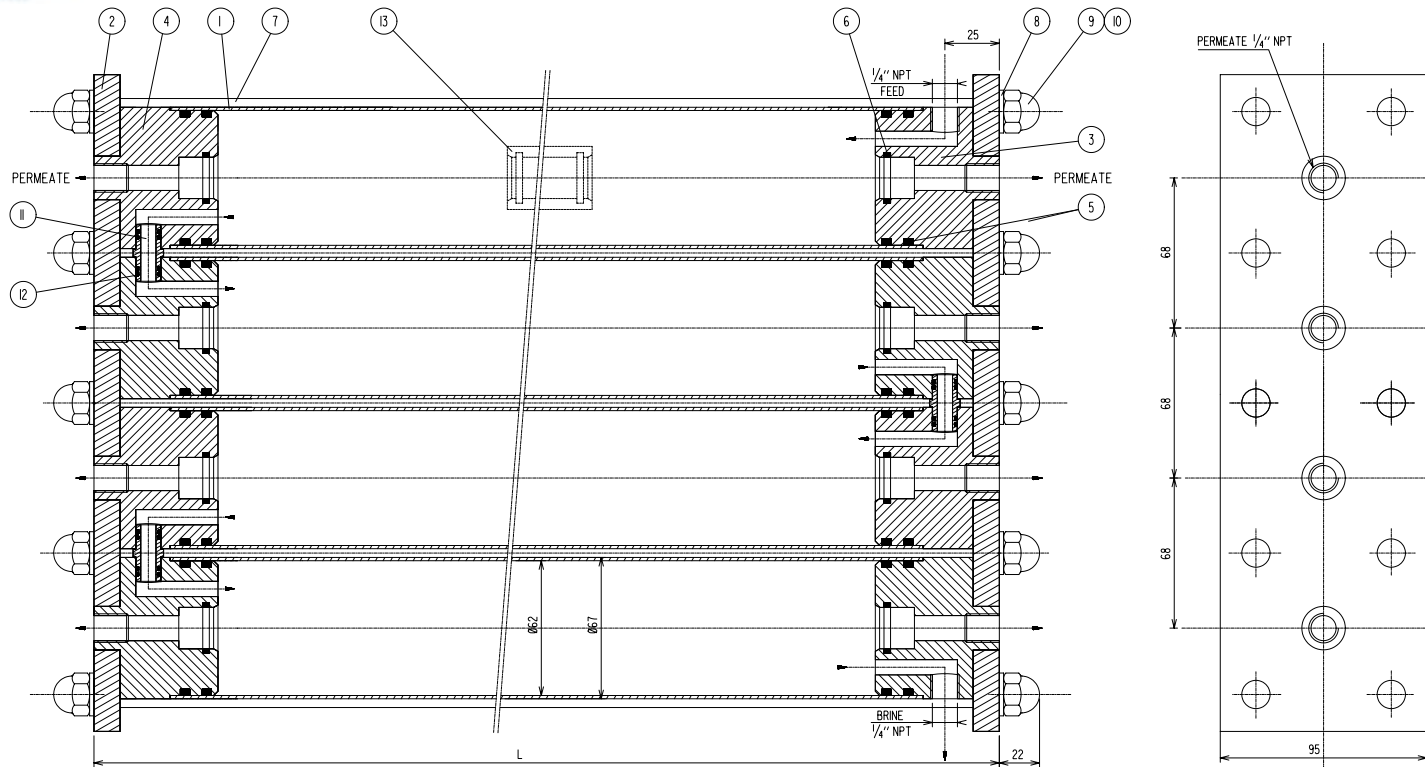
TECHNICAL INFORMATION		
USE	SCOPE	
continuous long-term use and for a working pressure from 28 to 84 bars, depending on the models.	seawater	yes
compatible with spiral membranes.	wastewater treatment	yes
the conveyed fluid can not exceed the temperature of 49°C.	pure water for industry	yes
safety coefficient = 1,5.	food-processing	yes
according to operating conditions, specific materials on demand (316L stainless-steel, etc)	oil & gas	yes
after-sales service spare parts + consumables	leachate treatment / acid	yes

## 2,5" OSMOTEX RANGE - END PORT

type	membrane Lgth	nbr/tube	max. pressure (bars)	buffer I/O	range	item Code	reference
SINGLE	21	1	70	POMC or SS 316L	OSMOTEX 2"1/2	OPSTANTEX1F702521	1702521
SINGLE	40	1	70	POMC or SS 316L	OSMOTEX 2"1/2	OPSTANTEX1F702540	1702540
DOUBLE	21	1	70	POMC or SS 316L	DB-OSMOTEX 2"1/2	OPSTANBI1F702521	1702521
DOUBLE	40	1	70	POMC or SS 316L	DB-OSMOTEX 2"1/2	OPSTANBI1F702540	1702540
TRIPLE	21	1	70	POMC or SS 316L	TRI-OSMOTEX 2"1/2	OPSTANTRI1F702521	1702521
TRIPLE	40	1	70	POMC or SS 316L	TRI-OSMOTEX 2"1/2	OPSTANTRI1F702540	1702540
QUADRUPLE	21	1	70	POMC or SS 316L	QUADR-OSMOTEX 2"1/2	OPSTANQUADRI1F702521	1702521
QUADRUPLE	40	1	70	POMC or SS 316L	QUADR-OSMOTEX 2"1/2	OPSTANQUADRI1F702540	1702540

ORDER YOUR PARTS ONLINE HERE : [WWW.EPOXYRESOLUTIONS.COM](http://WWW.EPOXYRESOLUTIONS.COM)

# QUADRI-OSMOTEX - 2,5" - 70 bars



**WARNING**  
 Install and maintain the vessel according to the "assembly and maintenance" instructions page 1/3. These recommendations are essential for the vessel to work properly.

**AVERTISSEMENT**  
 Installer et entretenir le corps selon les précautions "de montage et de maintenance" page 1/3. Ces mesures sont indispensables pour un bon fonctionnement.

**PLASTICON FRANCE**  
 Z.A. de l'Eraudière  
 85170 Dompierre/Yon (France)  
 Tél. : 33 (0)251 341 718  
 Fax. : 33 (0)251 341 402  
 E-mail : trade@plasticon.fr

QUADRI-OSMOTEX 70.25

Registered design

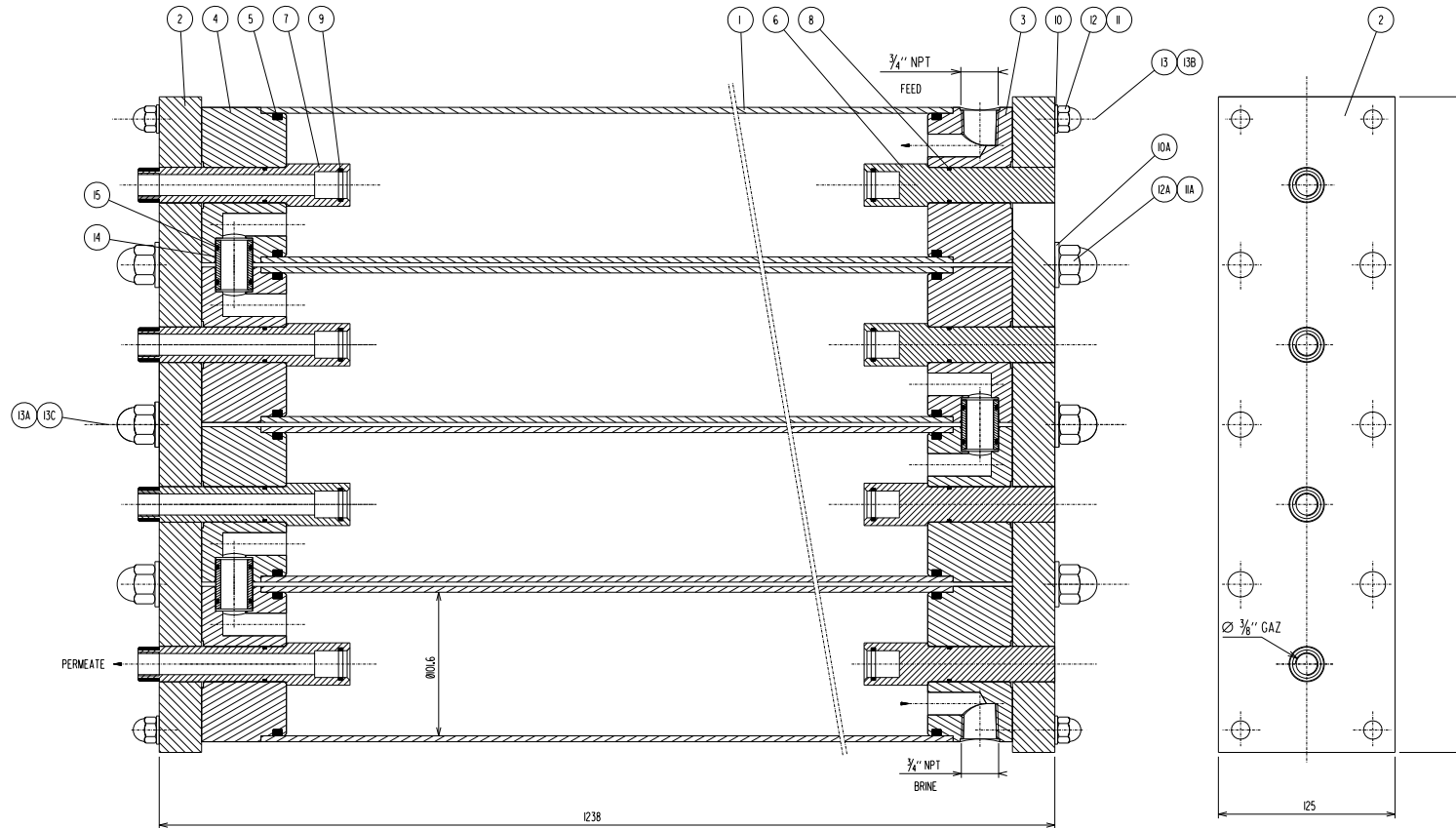
Document : QUADRI-TEX 7025 - Ind A - 13/3/2001 - Page 3/3

## 4" OSMOTEX RANGE- END PORT

type	membrane Lgth	nbr/tube	max. pressure (bars)	buffer I/O	range	item Code	reference
SINGLE	40	1	120	POMC or SS 316L	OSMOTEX 4"		
SINGLE	21	1	70	POMC or SS 316L	OSMOTEX 4"	<i>OPSTANTEX1F704021</i>	1704021
SINGLE	40	1	70	POMC or SS 316L	OSMOTEX 4"	<i>OPSTANTEX1F704040</i>	1704040
SINGLE	40	2	70	POMC or SS 316L	OSMOTEX 4"	<i>OPSTANTEX2F704040</i>	2704040
SINGLE	40	1	28	POMC or SS 316L	OSMOTEX 4"	<i>OPSTANTEX1F284040</i>	1284040
SINGLE	40	2	28	POMC or SS 316L	OSMOTEX 4"	<i>OPSTANTEX2F284040</i>	2284040
DOUBLE	40	1	70	POMC or SS 316L	DB-OSMOTEX 4"	<i>OPSTANBI1F704040</i>	1704040
DOUBLE	40	1	28	POMC or SS 316L	DB-OSMOTEX 4"	<i>OPSTANBI1F284040</i>	1284040
TRIPLE	40	1	70	POMC or SS 316L	TRI-OSMOTEX 4"	<i>OPSTANTRI1F704040</i>	1704040
TRIPLE	40	1	28	POMC or SS 316L	TRI-OSMOTEX 4"	<i>OPSTANTRI1F284040</i>	1284040
QUADRUPLE	40	1	70	POMC or SS 316L	QUADRI-OSMOTEX 4"	<i>OPSTANQUADRI1F704040</i>	1704040
QUADRUPLE	40	1	28	POMC or SS 316L	QUADRI-OSMOTEX 4"	<i>OPSTANQUADRI1F284040</i>	1284040

ORDER YOUR PARTS ONLINE HERE : [WWW.EPOXYRESOLUTIONS.COM](http://WWW.EPOXYRESOLUTIONS.COM)

# QUADRI - OSMOTEX - 4" - 70 bars



**WARNING**  
Install and maintain the vessel according to the "assembly and maintenance" instructions page 1/3. These recommendations are essential for the vessel to work properly.

**AVERTISSEMENT**  
Installer et entretenir le corps selon les précautions "de montage et de maintenance" page 1/3. Ces mesures sont indispensables pour un bon fonctionnement.

**PLASTICON FRANCE**  
Z.A. de l'Eraudière  
85170 Dompierre/Yon (France)  
Tél. : 33 (0)251 341 718  
Fax. : 33 (0)251 341 402  
E-mail : trade@plasticon.fr

QUADRI-OSMOTEX 7040

Registered design

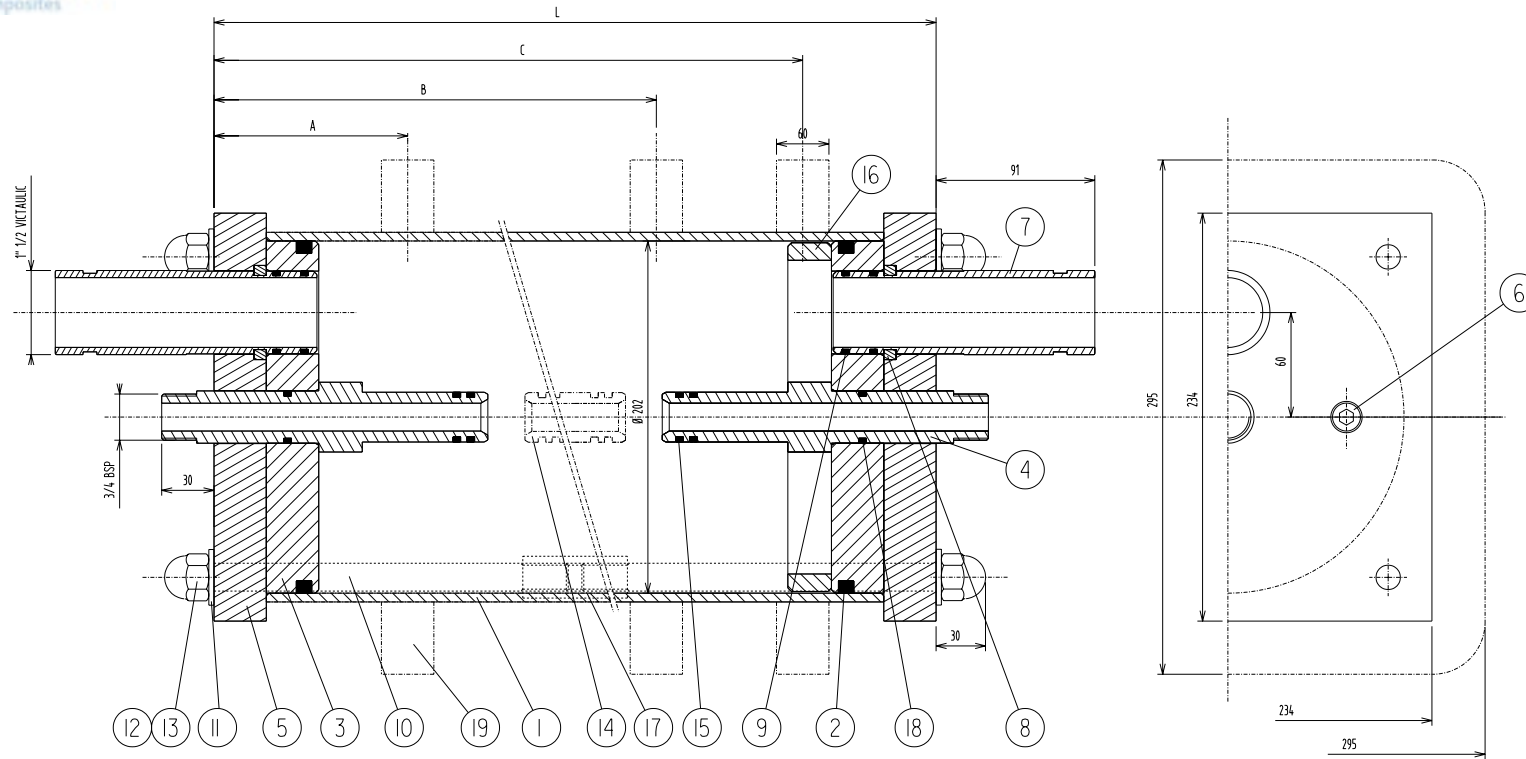
Document : QUADRI-TEX - Ind A - 09/11/2011 - Page 3/3

## 8" OSMOTEX RANGE - END PORT

type	membrane Lgth	nbr/tube	max.pressure (bars)	buffer I/O	range	item code	reference
SINGLE	40	1	28	PVC	Osmotex 8" 28 bars	OPSTANTEX1F288040	1288040
SINGLE	40	2	28	PVC	Osmotex 8" 28 bars	OPSTANTEX2F288040	2288040
SINGLE	40	3	28	PVC	Osmotex 8" 28 bars	OPSTANTEX3F288040	3288040
SINGLE	40	4	28	PVC	Osmotex 8" 28 bars	OPSTANTEX4F288040	4288040
SINGLE	40	5	28	PVC	Osmotex 8" 28 bars	OPSTANTEX5F288040	5288040
SINGLE	40	6	28	PVC	Osmotex 8" 28 bars	OPSTANTEX6F288040	6288040
SINGLE	40	1	84	PVC	Osmotex 8" 70 bars		
SINGLE	40	2	84	PVC	Osmotex 8" 70 bars		
SINGLE	40	3	84	PVC	Osmotex 8" 70 bars		
SINGLE	40	4	84	PVC	Osmotex 8" 70 bars		
SINGLE	40	5	84	PVC	Osmotex 8" 70 bars		
SINGLE	40	6	84	PVC	Osmotex 8" 70 bars		

ORDER YOUR PARTS ONLINE HERE : [WWW.EPOXYRESOLUTIONS.COM](http://WWW.EPOXYRESOLUTIONS.COM)

# OSMOTEX - 8" - 70 bars



**WARNING**  
 Install and maintain the vessel according to the "assembly and maintenance" instructions page 1/3. These recommendations are essential for the vessel to work properly.

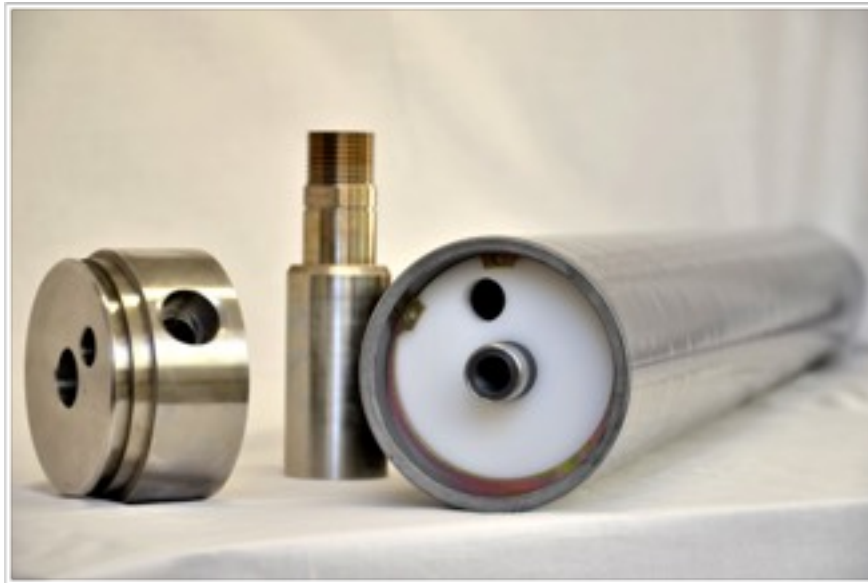
**AVERTISSEMENT**  
 Installer et entretenir le corps selon les précautions "de montage et de maintenance" page 1/3. Ces mesures sont indispensables pour un bon fonctionnement.

**PLASTICON FRANCE**  
 Z.A. de l'Éraudière  
 85170 Dompierre/Yon (France)  
 Tél. : 33 (0)251 341 718  
 Fax : 33 (0)251 341 402  
 E-mail : trade@plasticon.fr

OSMOTEX 70.80  
 Registered design  
 Document : TEX 7080 - Ind E - 28/10/10 - Page 3/3



# OSMOCLIPS RANGE - overviews



VERY GOOD COST/  
MECHANICAL  
RESISTANCE RATIO

GOOD PSYSCO-  
CHEMICAL PROPERTIES

ECONOMICAL

ANTI-CORROSION

SUSTAINABILITY

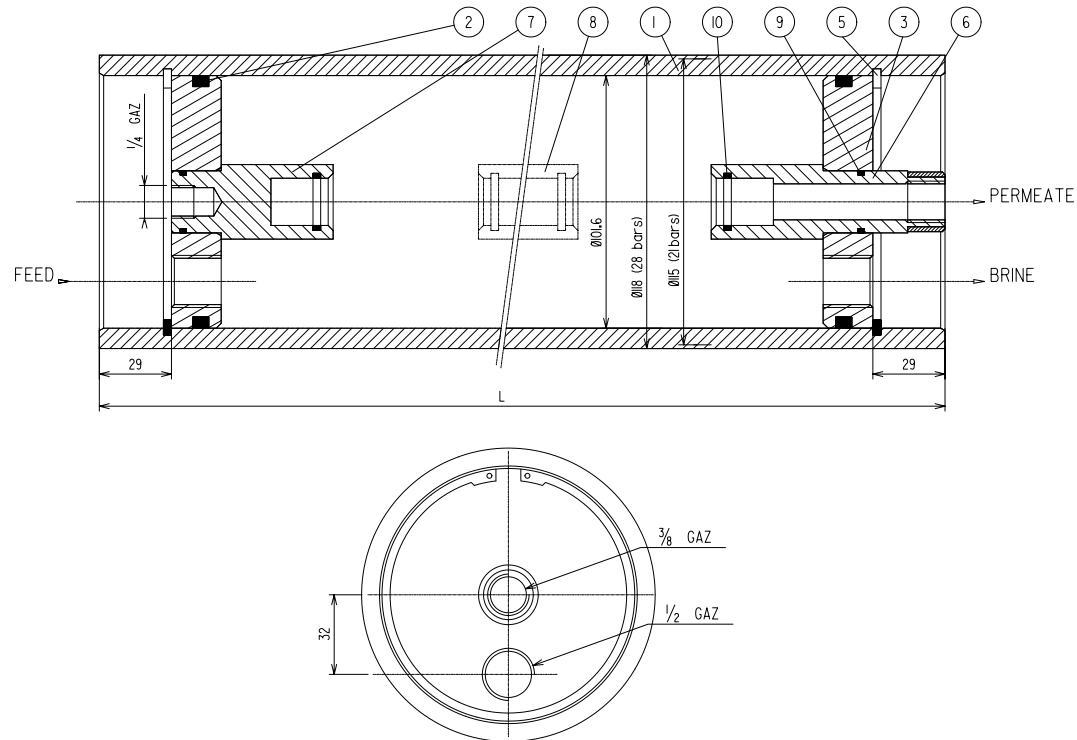
TECHNICAL INFORMATION		
USE	SCOPE	
continuous long-term use and for a maximum working pressure of 28 bars.	seawater	no
compatible with spiral membranes.	wastewater treatment	yes
the conveyed fluid can not exceed the temperature of 49°C.	pure water for industry	yes
safety coefficient = 1,5.	food-processing	yes
according to operating conditions, specific materials on demand (316L stainless-steel, etc)	oil & gas	yes
after-sales service spare parts + consumables	leachate treatment / acid	yes

# OSMOCLIPS RANGE - 2,5" and 4" - END PORT

type	membrane Lgth	nbr/tube	max. pressure (bars)	buffer I/O	range	item code	reference
SINGLE	21	1	28	pomc	OSMOCLIPS 2,5"	OPSTANCLI1F282521	1282521
SINGLE	40	1	28	pomc	OSMOCLIPS 2,5"	OPSTANCLI1F282540	1282540
SINGLE	40	2	28	pomc	OSMOCLIPS 2,5"	OPSTANCLI2F282540	2282540
SINGLE	21	1	17	POMC or SS 316L	OSMOCLIPS 4"	OPSTANCLIPS1F174021	1174021
SINGLE	40	1	17	POMC or SS 316L	OSMOCLIPS 4"	OPSTANCLIPS1F174040	1174040
SINGLE	40	2	17	POMC or SS 316L	OSMOCLIPS 4"	OPSTANCLIPS2F174040	2174040
SINGLE	40	3	17	POMC or SS 316L	OSMOCLIPS 4"	OPSTANCLIPS3F174040	3174040
SINGLE	21	1	21	POMC or SS 316L	OSMOCLIPS 4"	OPSTANCLIPS1F214021	1214021
SINGLE	40	1	21	POMC or SS 316L	OSMOCLIPS 4"	OPSTANCLIPS1F214040	1214040
SINGLE	40	2	21	POMC or SS 316L	OSMOCLIPS 4"	OPSTANCLIPS2F214040	2214040
SINGLE	40	3	21	POMC or SS 316L	OSMOCLIPS 4"	OPSTANCLIPS3F214040	3214040
SINGLE	21	1	28	POMC or SS 316L	OSMOCLIPS 4"	OPSTANCLIPS1F284021	1284021
SINGLE	40	1	28	POMC or SS 316L	OSMOCLIPS 4"	OPSTANCLIPS1F284040	1284040
SINGLE	40	2	28	POMC or SS 316L	OSMOCLIPS 4"	OPSTANCLIPS2F284040	2284040
SINGLE	40	3	28	POMC or SS 316L	OSMOCLIPS 4"	OPSTANCLIPS3F284040	3284040
SEALS KIT		1 seals kit contains : 2 O-Rings R45 [OSQUJTR45] ; 2 O-Rings 2,4 × 19,6 [OSQUJT19.6] ; 2 O-Rings R14 [OSCUJTR14]				OPSTANKITJOINT	
BEARINGS KIT		1 bearings kit contains : 2 O-Rings R45 [OSQUJTR45] ; 2 Buffers 4" with seals [OSQOTAMP] ; 2 Circlips for boring Ø102mm [OSQOCIRC] ; 1 production end cap FILMTEC (stainless steel insert ) [OSQOSORFI] ; 1 Valve FILMTEC [OSQOBTFI] ; 2 O-Rings 2,4 × 19,6 [OSQUJT19.6] ; 2 O-Rings R14 [OSCUJTR14]				OPSTANKITFLACLI4"	

ORDER YOUR PARTS ONLINE HERE : [WWW.EPOXYRESOLUTIONS.COM](http://WWW.EPOXYRESOLUTIONS.COM)

# OSMOCLIPS RANGE - 2,5" and 4" - END PORT



**WARNING**  
Install and maintain the vessel according to the "assembly and maintenance" instructions page 1/3. These recommendations are essential for the vessel to work properly.

**AVERTISSEMENT**  
Installer et entretenir le corps selon les précautions "de montage et de maintenance" page 1/3. Ces mesures sont indispensables pour un bon fonctionnement.

**PLASTICON-FRANCE**  
Z.A. de l'Eraudière  
85170 Dompierre/Yon (France)  
Tél. : 33 (0)251 341 718  
Fax. : 33 (0)251 341 402  
E-mail : trade@plasticon.fr

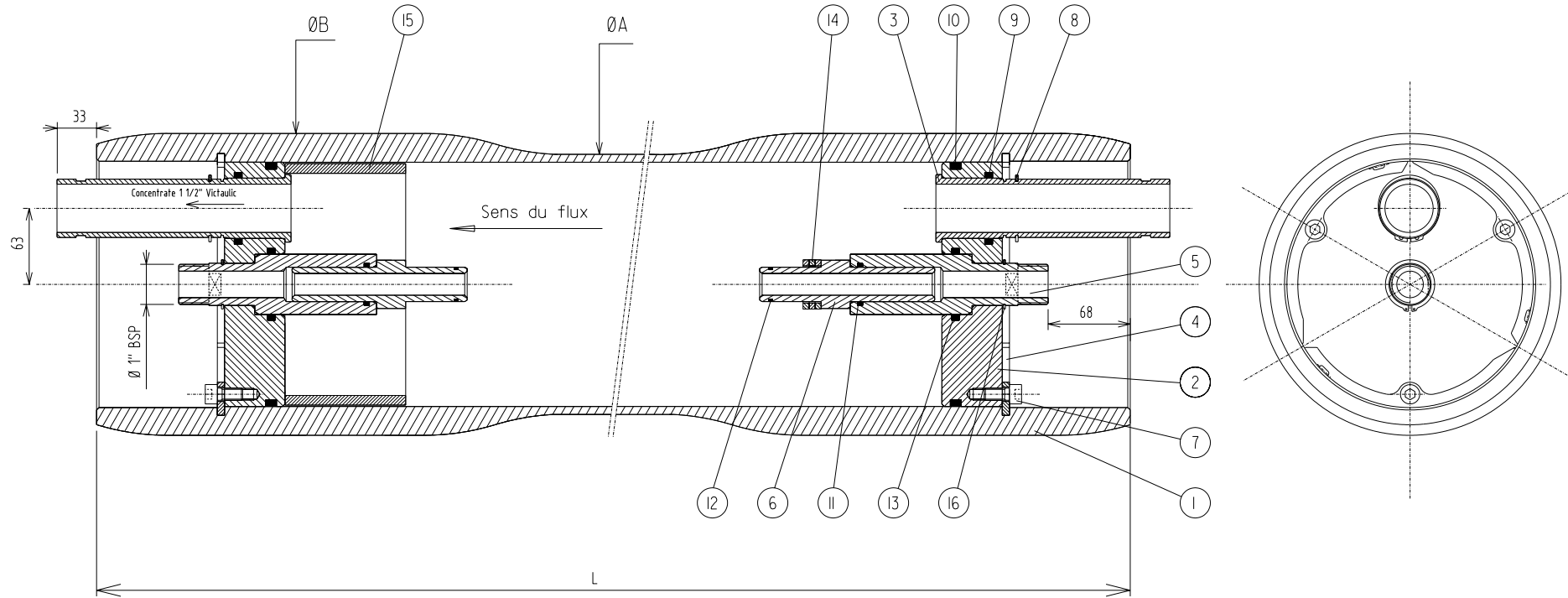
OSMOCLIPS 21.40-28.40  
Registered design  
Document : CLIPS 21.2840 - Ind C - 12/10/2000 - Page 3/3

## OSMOCLIPS RANGE - 8" - END PORT

type	membrane Lgth	nbr/tube	max. pressure (bars)	buffer I/O	range	item code	reference
SINGLE	40	1	21	pomc	Osmoclips 8" Front-Port	<i>OPFP1F218040</i>	1218040
SINGLE	40	2	21	pomc	Osmoclips 8" Front-Port	<i>OPFP2F218040</i>	2218040
SINGLE	40	3	21	pomc	Osmoclips 8" Front-Port	<i>OPFP3F218040</i>	3218040
SINGLE	40	4	21	pomc	Osmoclips 8" Front-Port	<i>OPFP4F218040</i>	4218040
SINGLE	40	5	21	pomc	Osmoclips 8" Front-Port	<i>OPFP5F218040</i>	5218040
SINGLE	40	6	21	pomc	Osmoclips 8" Front-Port	<i>OPFP6F218040</i>	6218040
SINGLE	40	1	28	pomc	Osmoclips 8" Front-Port	<i>OSFP1F288040</i>	1288040
SINGLE	40	2	28	pomc	Osmoclips 8" Front-Port	<i>OPFP2F288040</i>	2288040
SINGLE	40	3	28	pomc	Osmoclips 8" Front-Port	<i>OPFP3F288040</i>	3288040
SINGLE	40	4	28	pomc	Osmoclips 8" Front-Port	<i>OPFP4F288040</i>	4288040
SINGLE	40	5	28	pomc	Osmoclips 8" Front-Port	<i>OPFP5F288040</i>	5288040
SINGLE	40	6	28	pomc	Osmoclips 8" Front-Port	<i>OPFP6F288040</i>	6288040

ORDER YOUR PARTS ONLINE HERE : [WWW.EPOXYRESOLUTIONS.COM](http://WWW.EPOXYRESOLUTIONS.COM)

# OSMOCLIPS RANGE - 8" - END PORT



**WARNING**  
 Install and maintain the vessel according to the "assembly and maintenance" instructions page 1/3. These recommendations are essential for the vessel to work properly.

**AVERTISSEMENT**  
 Installer et entretenir le corps selon les précautions "de montage et de maintenance" page 1/3. Ces mesures sont indispensables pour un bon fonctionnement.

**PLASTICON FRANCE**  
 Z.A. de l'Eraudière  
 85170 Dompierre/Yon (France)  
 Tél. : 33 (0)251 341 718  
 Fax. : 33 (0)251 341 402  
 E-mail : trade@plasticon.fr

CORPS FRONT-PORT 28 bars Nouveau modèle

HOUSING FRONT PORT 28 bars New model

Document : ClipsFP288040New - Ind A - Page 3/3 - 22/5/2002



YOU CAN REACH US AT THIS NUMBER :

**+33 (0) 2 51 08 86 50**

ASK FOR AUDREY

Or send us an email at :

[trade@plasticoncomposites.com](mailto:trade@plasticoncomposites.com)

VISIT OUR ONLINE SHOP HERE :

[www.epoxyresolutions.com](http://www.epoxyresolutions.com)

SECURED PAYMENT



DELIVERY THROUGHOUT EUROPE



**< 48H**

TECHNICAL AND COMMERCIAL  
ASSISTANCE

from Monday to Friday  
from 8.30 am to 6 pm.